



衍惠电子

AC SOCKET



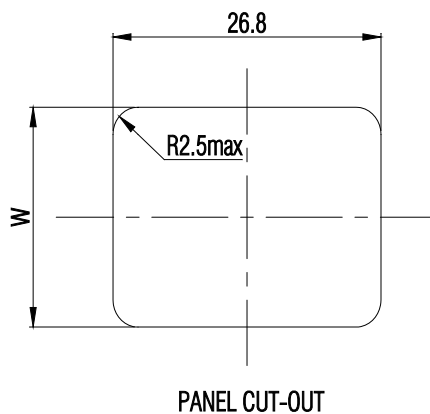
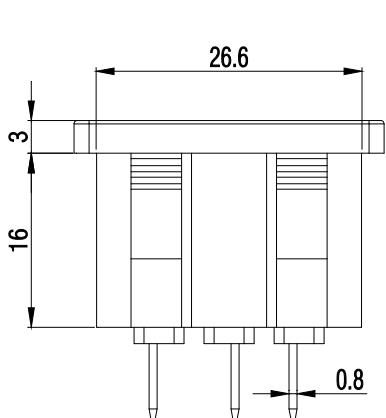
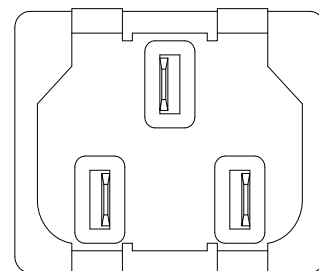
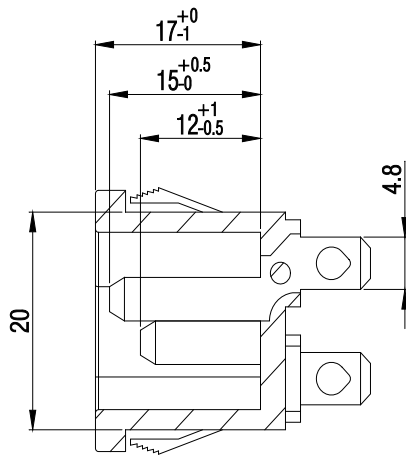
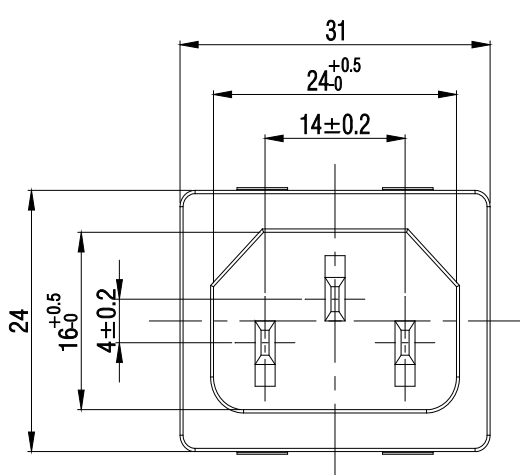
DB-14-2NK 10A/250Vac & 15A/125Vac

SPECIFICATION



| | |
|----------------------------------|---------------|
| 1. Dielectric withstand strength | AC 2000V/1min |
| 2. Insulation resistance | ≥ 100MΩ |
| 3. Operation force | 1.5~5kgf |
| 4. Pull force of terminal | 60N |
| 5. Solderability test | 230±5°C / 3S |
| 6. Soldering heat resistance | 260±5°C / 5S |
| 7. Life test | 6,000 cycle |
| 8. Heat resistance | 80±2°C / 96h |
| 9. Cold resistance | -20±2°C / 96h |
| 10. Salt spray test | 24h |

DRAWING



| THICKNESS | W |
|-----------|------|
| 0.8~1.5 | 20.2 |
| 1.5~2.0 | 20.4 |
| 2.0~3.0 | 20.6 |