



衍惠电子

AC SOCKET



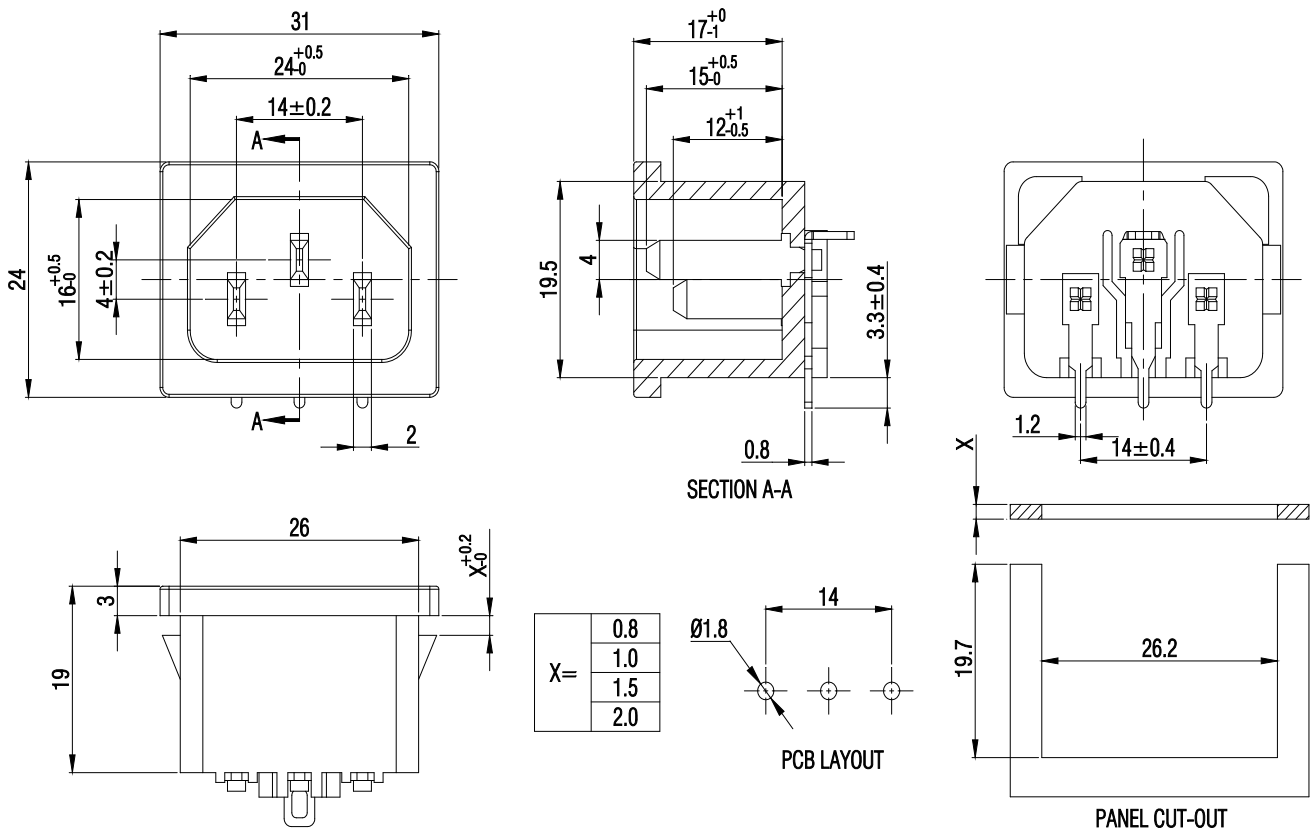
DB-14-3PZ-S33 10A/250Vac & 15A/125Vac

SPECIFICATION



- | | |
|----------------------------------|---------------|
| 1. Dielectric withstand strength | AC 2000V/1min |
| 2. Insulation resistance | ≥100MΩ |
| 3. Operation force | 1.5~5kgf |
| 4. Pull force of terminal | 60N |
| 5. Solderability test | 230±5°C / 3S |
| 6. Soldering heat resistance | 260±5°C / 5S |
| 7. Life test | 6,000 cycle |
| 8. Heat resistance | 80±2°C / 96h |
| 9. Cold resistance | -20±2°C / 96h |
| 10. Salt spray test | 24h |

DRAWING



Terminals Type

Middle Terminal	<table border="1"> <tr><th>Name</th><th>Size</th></tr> <tr><td>S3</td><td>3.5</td></tr> <tr><td>S4</td><td>4.0</td></tr> <tr><td>S5</td><td>5.0</td></tr> <tr><td>S6</td><td>5.7</td></tr> <tr><td>S1</td><td>10.5</td></tr> </table>	Name	Size	S3	3.5	S4	4.0	S5	5.0	S6	5.7	S1	10.5	<table border="1"> <tr><th>Name</th><th>Size</th></tr> <tr><td>3</td><td>3.5</td></tr> <tr><td>4</td><td>4.0</td></tr> <tr><td>5</td><td>5.0</td></tr> <tr><td>6</td><td>5.7</td></tr> <tr><td>1</td><td>10.5</td></tr> </table>	Name	Size	3	3.5	4	4.0	5	5.0	6	5.7	1	10.5	<table border="1"> <tr><th>Name</th><th>Size</th></tr> <tr><td>R1</td><td>3.6</td></tr> <tr><td>R</td><td>2.6</td></tr> </table>	Name	Size	R1	3.6	R	2.6	<table border="1"> <tr><th>Name</th><th>Size</th></tr> <tr><td>D</td><td>4.8</td></tr> <tr><td>W</td><td>6.3</td></tr> <tr><td>Q</td><td>4.0</td></tr> <tr><td>E</td><td></td></tr> </table>	Name	Size	D	4.8	W	6.3	Q	4.0	E		<table border="1"> <tr><th>Name</th><th>Size</th></tr> <tr><td>R1</td><td>3.6</td></tr> <tr><td>R</td><td>2.6</td></tr> </table>	Name	Size	R1	3.6	R	2.6	<table border="1"> <tr><th>Name</th><th>Size</th></tr> <tr><td>D</td><td>4.8</td></tr> <tr><td>W</td><td>6.3</td></tr> <tr><td>Q</td><td>4.0</td></tr> <tr><td>H</td><td></td></tr> </table>	Name	Size	D	4.8	W	6.3	Q	4.0	H	
		Name	Size																																																											
S3	3.5																																																													
S4	4.0																																																													
S5	5.0																																																													
S6	5.7																																																													
S1	10.5																																																													
Name	Size																																																													
3	3.5																																																													
4	4.0																																																													
5	5.0																																																													
6	5.7																																																													
1	10.5																																																													
Name	Size																																																													
R1	3.6																																																													
R	2.6																																																													
Name	Size																																																													
D	4.8																																																													
W	6.3																																																													
Q	4.0																																																													
E																																																														
Name	Size																																																													
R1	3.6																																																													
R	2.6																																																													
Name	Size																																																													
D	4.8																																																													
W	6.3																																																													
Q	4.0																																																													
H																																																														
Side Terminal	<table border="1"> <tr><th>Name</th><th>Size</th></tr> <tr><td>3</td><td>3.5</td></tr> <tr><td>4</td><td>4.0</td></tr> <tr><td>5</td><td>5.0</td></tr> <tr><td>6</td><td>5.7</td></tr> <tr><td>1</td><td>10.5</td></tr> </table>	Name	Size	3	3.5	4	4.0	5	5.0	6	5.7	1	10.5	<table border="1"> <tr><th>Name</th><th>Size</th></tr> <tr><td>J3</td><td>3.5</td></tr> <tr><td>J4</td><td>4.0</td></tr> <tr><td>J5</td><td>5.0</td></tr> <tr><td>J6</td><td>5.7</td></tr> <tr><td>J1</td><td>10.5</td></tr> </table>	Name	Size	J3	3.5	J4	4.0	J5	5.0	J6	5.7	J1	10.5	<table border="1"> <tr><th>Name</th><th>Size</th></tr> <tr><td>R1</td><td>3.6</td></tr> <tr><td>R</td><td>2.6</td></tr> </table>	Name	Size	R1	3.6	R	2.6	<table border="1"> <tr><th>Name</th><th>Size</th></tr> <tr><td>D</td><td>4.8</td></tr> <tr><td>W</td><td>6.3</td></tr> <tr><td>Q</td><td>4.0</td></tr> <tr><td>H</td><td></td></tr> </table>	Name	Size	D	4.8	W	6.3	Q	4.0	H																			
Name	Size																																																													
3	3.5																																																													
4	4.0																																																													
5	5.0																																																													
6	5.7																																																													
1	10.5																																																													
Name	Size																																																													
J3	3.5																																																													
J4	4.0																																																													
J5	5.0																																																													
J6	5.7																																																													
J1	10.5																																																													
Name	Size																																																													
R1	3.6																																																													
R	2.6																																																													
Name	Size																																																													
D	4.8																																																													
W	6.3																																																													
Q	4.0																																																													
H																																																														