

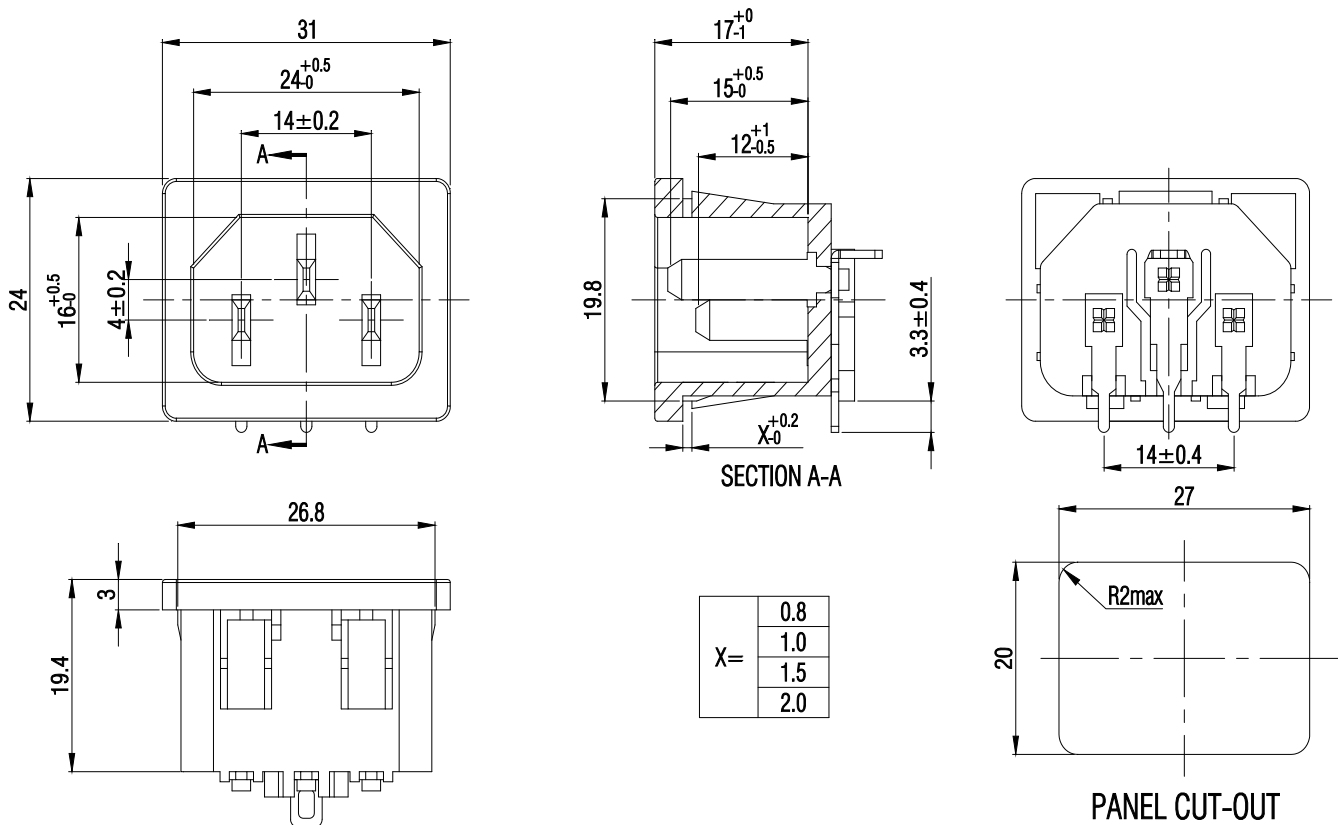


DB-14-5P-S33 10A/250Vac & 15A/125Vac

SPECIFICATION

	1. Dielectric withstand strength	AC 2000V/1min
	2. Insulation resistance	≥100MΩ
	3. Operation force	1.5~5kgf
	4. Pull force of terminal	60N
	5. Solderability test	230±5°C / 3S
	6. Solidering heat resistance	260±5°C / 5S
	7. Life test	6,000 cycle
	8. Heat resistance	80±2°C / 96h
	9. Cold resistance	-20±2°C / 96h
	10. Salt spray test	24h

DRAWING



Terminals Type

Middle Terminal	<table border="1"> <tr><th>Name</th><th>Size</th></tr> <tr><td>S3</td><td>3.5</td></tr> <tr><td>S4</td><td>4.0</td></tr> <tr><td>S5</td><td>5.0</td></tr> <tr><td>S6</td><td>5.7</td></tr> <tr><td>S1</td><td>10.5</td></tr> </table>	Name	Size	S3	3.5	S4	4.0	S5	5.0	S6	5.7	S1	10.5	<table border="1"> <tr><th>Name</th><th>Size</th></tr> <tr><td>3</td><td>3.5</td></tr> <tr><td>4</td><td>4.0</td></tr> <tr><td>5</td><td>5.0</td></tr> <tr><td>6</td><td>5.7</td></tr> <tr><td>1</td><td>10.5</td></tr> </table>	Name	Size	3	3.5	4	4.0	5	5.0	6	5.7	1	10.5						
		Name	Size																													
S3	3.5																															
S4	4.0																															
S5	5.0																															
S6	5.7																															
S1	10.5																															
Name	Size																															
3	3.5																															
4	4.0																															
5	5.0																															
6	5.7																															
1	10.5																															
Side Terminal	<table border="1"> <tr><th>Name</th><th>Size</th></tr> <tr><td>3</td><td>3.5</td></tr> <tr><td>4</td><td>4.0</td></tr> <tr><td>5</td><td>5.0</td></tr> <tr><td>6</td><td>5.7</td></tr> <tr><td>1</td><td>10.5</td></tr> </table>	Name	Size	3	3.5	4	4.0	5	5.0	6	5.7	1	10.5	<table border="1"> <tr><th>Name</th><th>Size</th></tr> <tr><td>J3</td><td>3.5</td></tr> <tr><td>J4</td><td>4.0</td></tr> <tr><td>J5</td><td>5.0</td></tr> <tr><td>J6</td><td>5.7</td></tr> <tr><td>J1</td><td>10.5</td></tr> </table>	Name	Size	J3	3.5	J4	4.0	J5	5.0	J6	5.7	J1	10.5						
		Name	Size																													
3	3.5																															
4	4.0																															
5	5.0																															
6	5.7																															
1	10.5																															
Name	Size																															
J3	3.5																															
J4	4.0																															
J5	5.0																															
J6	5.7																															
J1	10.5																															