



衍惠电子

AC SOCKET



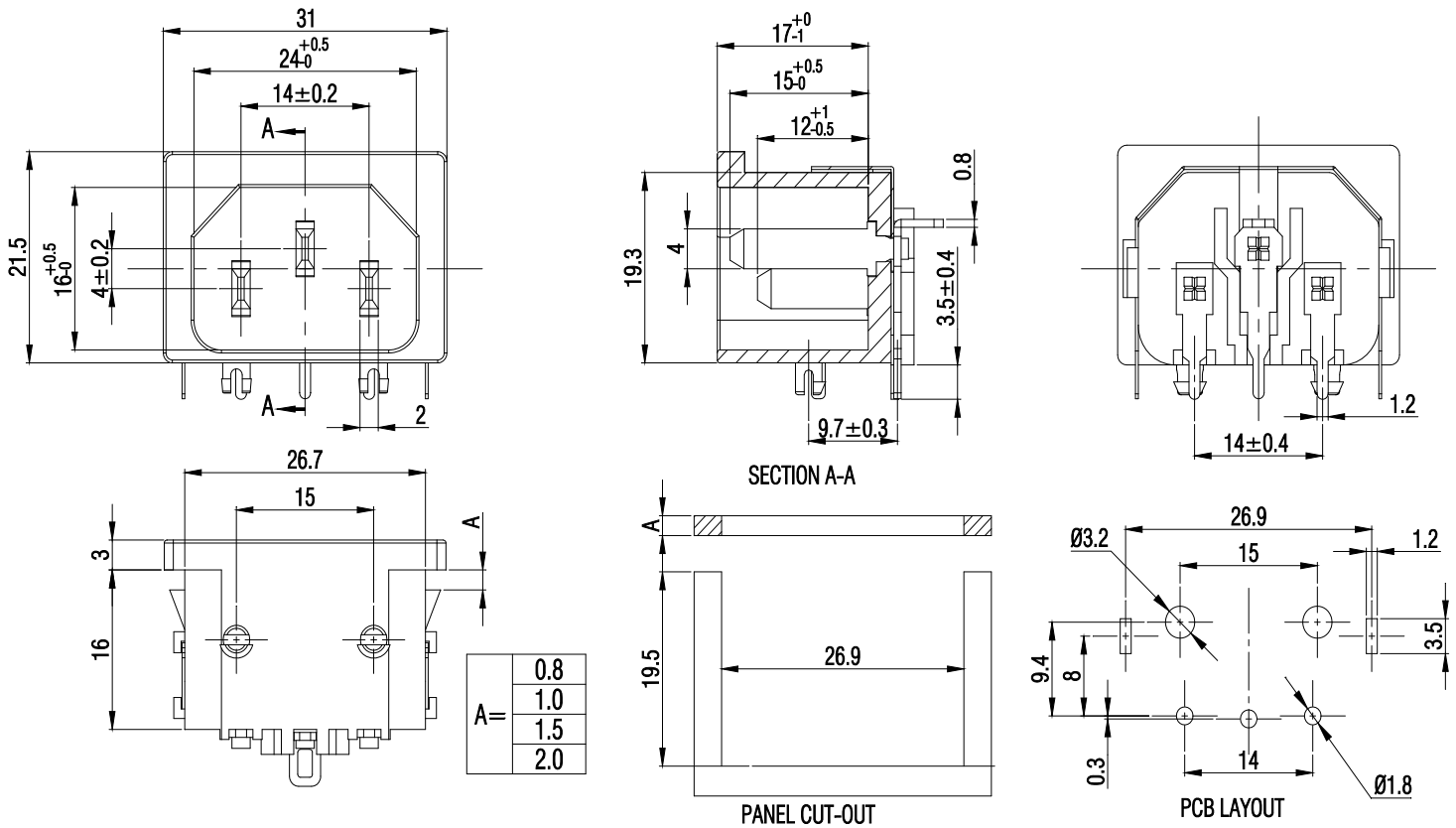
DB-14-7P-S33(T) 10A/250Vac & 15A/125Vac

SPECIFICATION



- |                                  |               |
|----------------------------------|---------------|
| 1. Dielectric withstand strength | AC 2000V/1min |
| 2. Insulation resistance         | ≥100MΩ        |
| 3. Operation force               | 1.5~5kgf      |
| 4. Pull force of terminal        | 60N           |
| 5. Solderability test            | 230±5°C / 3S  |
| 6. Soldering heat resistance     | 260±5°C / 5S  |
| 7. Life test                     | 6,000 cycle   |
| 8. Heat resistance               | 80±2°C / 96h  |
| 9. Cold resistance               | -20±2°C / 96h |
| 10. Salt spray test              | 24h           |

DRAWING



Terminals Type

| Middle Terminal | <table border="1"> <thead> <tr> <th>Name</th> <th>Size</th> </tr> </thead> <tbody> <tr> <td>S3</td> <td>3.5</td> </tr> <tr> <td>S4</td> <td>4.0</td> </tr> <tr> <td>S5</td> <td>5.0</td> </tr> <tr> <td>S6</td> <td>5.7</td> </tr> <tr> <td>S1</td> <td>10.5</td> </tr> </tbody> </table> | Name          | Size          | S3            | 3.5           | S4 | 4.0 | S5 | 5.0 | S6 | 5.7 | S1 | 10.5 | <table border="1"> <thead> <tr> <th>Name</th> <th>Size</th> </tr> </thead> <tbody> <tr> <td>3</td> <td>3.5</td> </tr> <tr> <td>4</td> <td>4.0</td> </tr> <tr> <td>5</td> <td>5.0</td> </tr> <tr> <td>6</td> <td>5.7</td> </tr> <tr> <td>1</td> <td>10.5</td> </tr> </tbody> </table>      | Name | Size | 3  | 3.5 | 4  | 4.0 | 5  | 5.0 | 6  | 5.7 | 1  | 10.5 | <table border="1"> <thead> <tr> <th>Terminal Type</th> <th>Terminal Type</th> <th>Terminal Type</th> <th>Terminal Type</th> <th>Terminal Type</th> <th>Terminal Type</th> </tr> </thead> <tbody> <tr> <td>R1</td> <td>R</td> <td>D</td> <td>W</td> <td>Q</td> <td>E</td> </tr> </tbody> </table> | Terminal Type | Terminal Type | Terminal Type | Terminal Type | Terminal Type | Terminal Type | R1 | R | D | W | Q | E |
|-----------------|---|---------------|---------------|---------------|---------------|----|-----|----|-----|----|-----|----|------|---|------|------|----|-----|----|-----|----|-----|----|-----|----|------|--|---------------|---------------|---------------|---------------|---------------|---------------|----|---|---|---|---|---|
|                 |   | Name          | Size          |               |               |    |     |    |     |    |     |    |      |   |      |      |    |     |    |     |    |     |    |     |    |      |  |               |               |               |               |               |               |    |   |   |   |   |   |
| S3              | 3.5   |               |               |               |               |    |     |    |     |    |     |    |      |   |      |      |    |     |    |     |    |     |    |     |    |      |  |               |               |               |               |               |               |    |   |   |   |   |   |
| S4              | 4.0   |               |               |               |               |    |     |    |     |    |     |    |      |   |      |      |    |     |    |     |    |     |    |     |    |      |  |               |               |               |               |               |               |    |   |   |   |   |   |
| S5              | 5.0   |               |               |               |               |    |     |    |     |    |     |    |      |   |      |      |    |     |    |     |    |     |    |     |    |      |  |               |               |               |               |               |               |    |   |   |   |   |   |
| S6              | 5.7   |               |               |               |               |    |     |    |     |    |     |    |      |   |      |      |    |     |    |     |    |     |    |     |    |      |  |               |               |               |               |               |               |    |   |   |   |   |   |
| S1              | 10.5  |               |               |               |               |    |     |    |     |    |     |    |      |   |      |      |    |     |    |     |    |     |    |     |    |      |  |               |               |               |               |               |               |    |   |   |   |   |   |
| Name            | Size  |               |               |               |               |    |     |    |     |    |     |    |      |   |      |      |    |     |    |     |    |     |    |     |    |      |  |               |               |               |               |               |               |    |   |   |   |   |   |
| 3               | 3.5   |               |               |               |               |    |     |    |     |    |     |    |      |   |      |      |    |     |    |     |    |     |    |     |    |      |  |               |               |               |               |               |               |    |   |   |   |   |   |
| 4               | 4.0   |               |               |               |               |    |     |    |     |    |     |    |      |   |      |      |    |     |    |     |    |     |    |     |    |      |  |               |               |               |               |               |               |    |   |   |   |   |   |
| 5               | 5.0   |               |               |               |               |    |     |    |     |    |     |    |      |   |      |      |    |     |    |     |    |     |    |     |    |      |  |               |               |               |               |               |               |    |   |   |   |   |   |
| 6               | 5.7   |               |               |               |               |    |     |    |     |    |     |    |      |   |      |      |    |     |    |     |    |     |    |     |    |      |  |               |               |               |               |               |               |    |   |   |   |   |   |
| 1               | 10.5  |               |               |               |               |    |     |    |     |    |     |    |      |   |      |      |    |     |    |     |    |     |    |     |    |      |  |               |               |               |               |               |               |    |   |   |   |   |   |
| Terminal Type   | Terminal Type   | Terminal Type | Terminal Type | Terminal Type | Terminal Type |    |     |    |     |    |     |    |      |   |      |      |    |     |    |     |    |     |    |     |    |      |  |               |               |               |               |               |               |    |   |   |   |   |   |
| R1              | R   | D             | W             | Q             | E             |    |     |    |     |    |     |    |      |   |      |      |    |     |    |     |    |     |    |     |    |      |  |               |               |               |               |               |               |    |   |   |   |   |   |
| Side Terminal   | <table border="1"> <thead> <tr> <th>Name</th> <th>Size</th> </tr> </thead> <tbody> <tr> <td>3</td> <td>3.5</td> </tr> <tr> <td>4</td> <td>4.0</td> </tr> <tr> <td>5</td> <td>5.0</td> </tr> <tr> <td>6</td> <td>5.7</td> </tr> <tr> <td>1</td> <td>10.5</td> </tr> </tbody> </table>      | Name          | Size          | 3             | 3.5           | 4  | 4.0 | 5  | 5.0 | 6  | 5.7 | 1  | 10.5 | <table border="1"> <thead> <tr> <th>Name</th> <th>Size</th> </tr> </thead> <tbody> <tr> <td>J3</td> <td>3.5</td> </tr> <tr> <td>J4</td> <td>4.0</td> </tr> <tr> <td>J5</td> <td>5.0</td> </tr> <tr> <td>J6</td> <td>5.7</td> </tr> <tr> <td>J1</td> <td>10.5</td> </tr> </tbody> </table> | Name | Size | J3 | 3.5 | J4 | 4.0 | J5 | 5.0 | J6 | 5.7 | J1 | 10.5 | <table border="1"> <thead> <tr> <th>Terminal Type</th> <th>Terminal Type</th> <th>Terminal Type</th> <th>Terminal Type</th> <th>Terminal Type</th> <th>Terminal Type</th> </tr> </thead> <tbody> <tr> <td>R1</td> <td>R</td> <td>D</td> <td>W</td> <td>Q</td> <td>H</td> </tr> </tbody> </table> | Terminal Type | Terminal Type | Terminal Type | Terminal Type | Terminal Type | Terminal Type | R1 | R | D | W | Q | H |
| Name            | Size  |               |               |               |               |    |     |    |     |    |     |    |      |   |      |      |    |     |    |     |    |     |    |     |    |      |  |               |               |               |               |               |               |    |   |   |   |   |   |
| 3               | 3.5   |               |               |               |               |    |     |    |     |    |     |    |      |   |      |      |    |     |    |     |    |     |    |     |    |      |  |               |               |               |               |               |               |    |   |   |   |   |   |
| 4               | 4.0   |               |               |               |               |    |     |    |     |    |     |    |      |   |      |      |    |     |    |     |    |     |    |     |    |      |  |               |               |               |               |               |               |    |   |   |   |   |   |
| 5               | 5.0   |               |               |               |               |    |     |    |     |    |     |    |      |   |      |      |    |     |    |     |    |     |    |     |    |      |  |               |               |               |               |               |               |    |   |   |   |   |   |
| 6               | 5.7   |               |               |               |               |    |     |    |     |    |     |    |      |   |      |      |    |     |    |     |    |     |    |     |    |      |  |               |               |               |               |               |               |    |   |   |   |   |   |
| 1               | 10.5  |               |               |               |               |    |     |    |     |    |     |    |      |   |      |      |    |     |    |     |    |     |    |     |    |      |  |               |               |               |               |               |               |    |   |   |   |   |   |
| Name            | Size  |               |               |               |               |    |     |    |     |    |     |    |      |   |      |      |    |     |    |     |    |     |    |     |    |      |  |               |               |               |               |               |               |    |   |   |   |   |   |
| J3              | 3.5   |               |               |               |               |    |     |    |     |    |     |    |      |   |      |      |    |     |    |     |    |     |    |     |    |      |  |               |               |               |               |               |               |    |   |   |   |   |   |
| J4              | 4.0   |               |               |               |               |    |     |    |     |    |     |    |      |   |      |      |    |     |    |     |    |     |    |     |    |      |  |               |               |               |               |               |               |    |   |   |   |   |   |
| J5              | 5.0   |               |               |               |               |    |     |    |     |    |     |    |      |   |      |      |    |     |    |     |    |     |    |     |    |      |  |               |               |               |               |               |               |    |   |   |   |   |   |
| J6              | 5.7   |               |               |               |               |    |     |    |     |    |     |    |      |   |      |      |    |     |    |     |    |     |    |     |    |      |  |               |               |               |               |               |               |    |   |   |   |   |   |
| J1              | 10.5  |               |               |               |               |    |     |    |     |    |     |    |      |   |      |      |    |     |    |     |    |     |    |     |    |      |  |               |               |               |               |               |               |    |   |   |   |   |   |
| Terminal Type   | Terminal Type   | Terminal Type | Terminal Type | Terminal Type | Terminal Type |    |     |    |     |    |     |    |      |   |      |      |    |     |    |     |    |     |    |     |    |      |  |               |               |               |               |               |               |    |   |   |   |   |   |
| R1              | R   | D             | W             | Q             | H             |    |     |    |     |    |     |    |      |   |      |      |    |     |    |     |    |     |    |     |    |      |  |               |               |               |               |               |               |    |   |   |   |   |   |