



衍惠电子

AC SOCKET



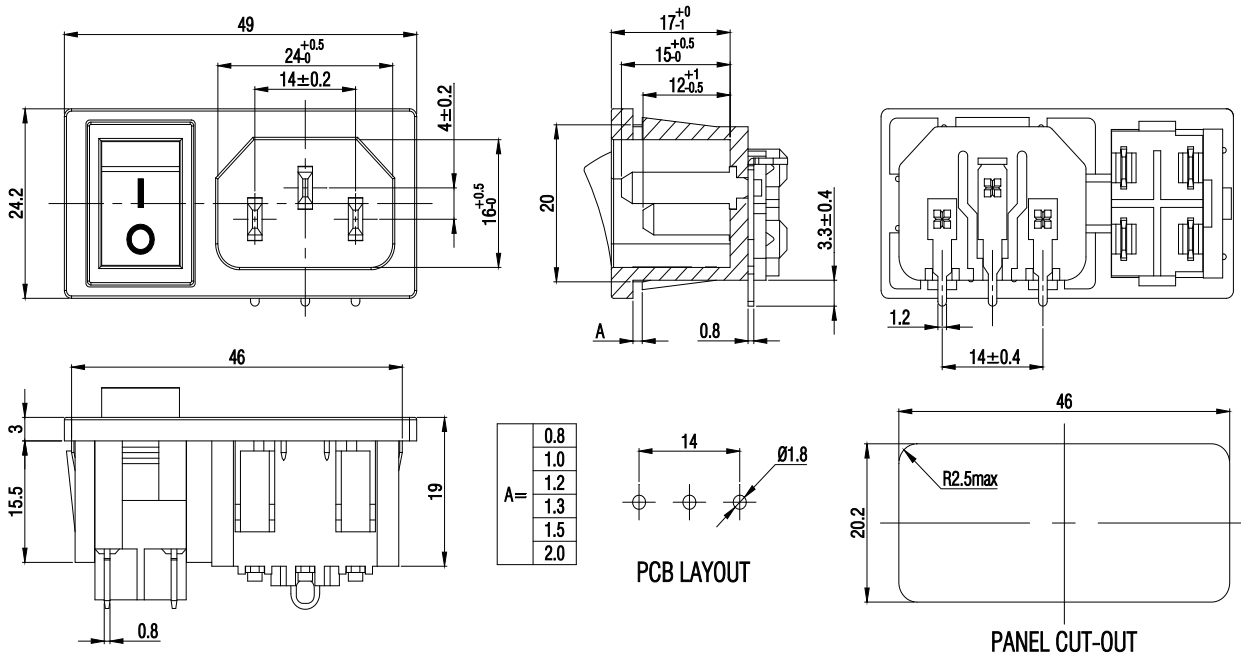
DB-14-5PRS-S33+YH2-2 10A/250Vac & 15A/250Vac

SPECIFICATION



- | | |
|----------------------------------|-----------------|
| 1. Dielectric withstand strength | AC 2000V/1min |
| 2. Insulation resistance | ≥100MΩ |
| 3. Operation force | 1.5~5kgf |
| 4. Pull force of terminal | 60N |
| 5. Solderability test | 230 ± 5°C / 3S |
| 6. Soldering heat resistance | 260 ± 5°C / 5S |
| 7. Life test | 6,000 cycle |
| 8. Heat resistance | 80 ± 2°C / 96h |
| 9. Cold resistance | -20 ± 2°C / 96h |
| 10. Salt spray test | 24h |

DRAWING



Terminals Type

Terminal Type	Terminal Name	Terminal Size	Terminal Name	Terminal Size	Terminal Name	Terminal Size	Terminal Name	Terminal Size	Terminal Name	Terminal Size
Middle Terminal	S3	3.5	3	3.5	R1	3.6	D	4.6	Q	4.6
	S4	4.0	4	4.0	R	2.6	W	6.6	E	4.6
	S5	5.0	5	5.0						
	S6	5.7	6	5.7						
	S1	10.5	1	10.5						
Side Terminal	3	3.5	J3	3.5	R1	3.6	D	4.6	Q	4.6
	4	4.0	J4	4.0	R	2.6	W	6.6	H	4.6
	5	5.0	J5	5.0						
	6	5.7	J6	5.7						
	1	10.5	J1	10.5						

Switch Type

