



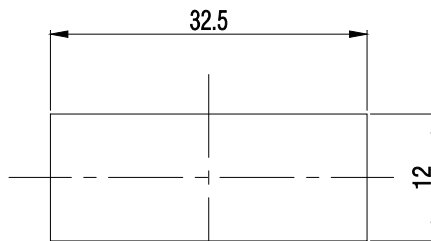
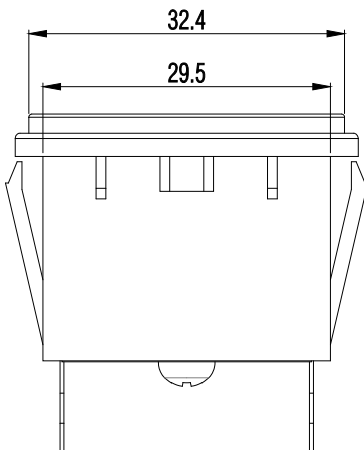
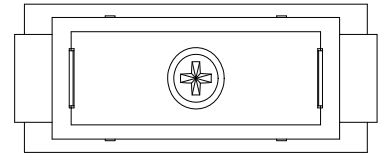
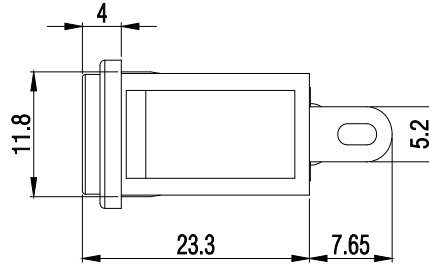
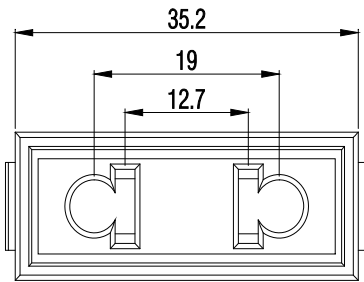
DB-14-M3

10A/250Vac

SPECIFICATION

	1. Dielectric withstand strength	AC 2000V/1min
	2. Insulation resistance	$\geq 100M\Omega$
	3. Operation force	1.5~5kgf
	4. Pull force of terminal	60N
	5. Solderability test	$230 \pm 5^{\circ}C / 3S$
	6. Solidering heat resistance	$260 \pm 5^{\circ}C / 5S$
	7. Life test	6,000 cycle
	8. Heat resistance	$80 \pm 2^{\circ}C / 96h$
	9. Cold resistance	$-20 \pm 2^{\circ}C / 96h$
	10. Salt spray test	24h

DRAWING



PANEL THICKNESS: 1.0~1.5mm  
 PANEL HOLE SIZE