



衍惠电子

AC SOCKET    

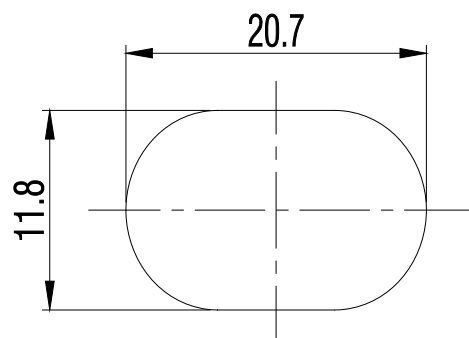
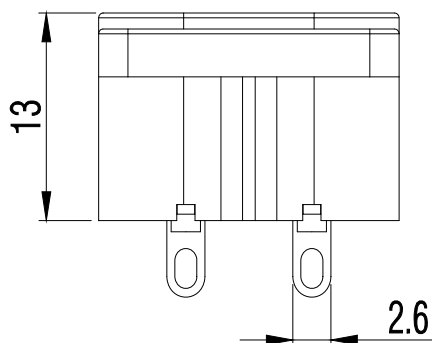
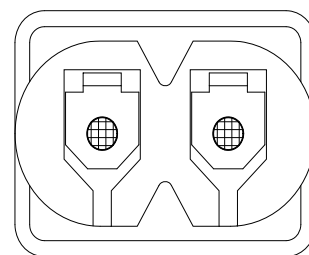
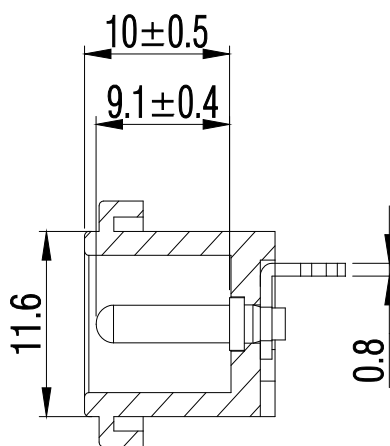
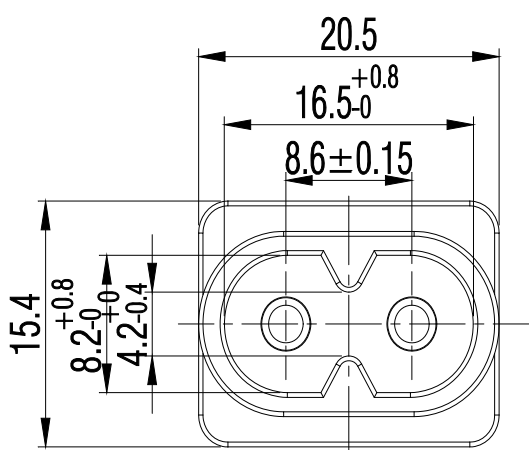
DB-14-T-15-S1 2.5A/250Vac & 5A/250Vac

SPECIFICATION



1. Dielectric withstand strength	AC 2000V/1min
2. Insulation resistance	$\geq 100M\Omega$
3. Operation force	1.5~5kgf
4. Pull force of terminal	60N
5. Solderability test	$230 \pm 5^{\circ}C / 3S$
6. Soldering heat resistance	$260 \pm 5^{\circ}C / 5S$
7. Life test	6,000 cycle
8. Heat resistance	$80 \pm 2^{\circ}C / 96h$
9. Cold resistance	$-20 \pm 2^{\circ}C / 96h$
10. Salt spray test	24h

DRAWING



PANEL CUT-OUT